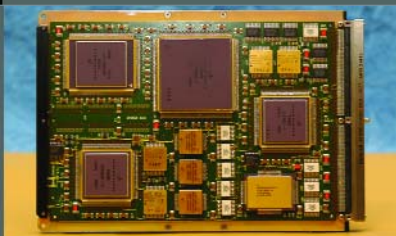
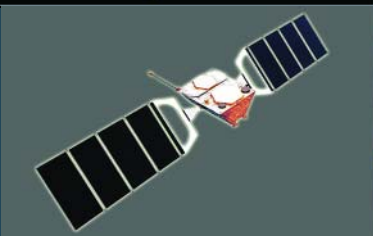
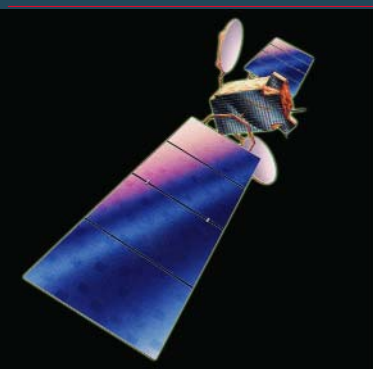


# RAD6000™ Space Computers



## RAD6000 space computers

---

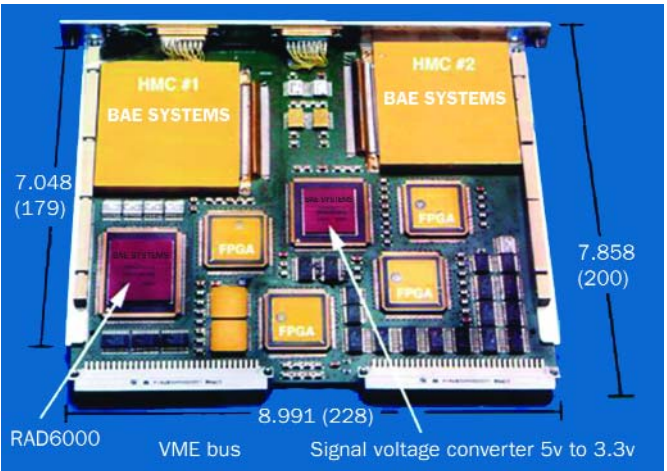
RAD6000 single board computers combine commercial standards with unique radiation hardened technology and packaging to meet the specific requirements of space applications. The RAD6000 computers include support functions to control local memory and provide standard and custom I/O interfaces. Support functions are implemented in both FPGAs and ASICs. The FPGA versions are based on the popular VME standard interface. The ASIC version supports multiple I/O devices and protocols and uses PCI as the common, on-card bus interface. This feature ensures a seamless software transition to the higher performance RAD750™ computer, also based on PCI.

BAE Systems has consolidated its space programs into the Space Systems and Electronics (SS&E) Business Area. Performing organizations are located in Nashua and Merrimack, New Hampshire; Manassas, Virginia; and Colorado Springs, Colorado.

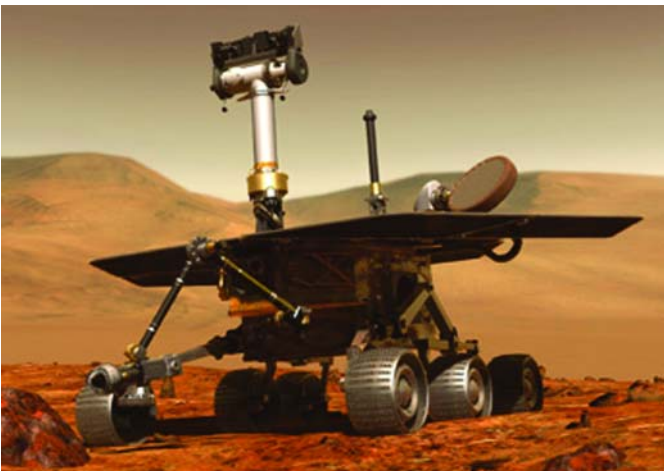
Today, BAE Systems develops and produces a wide array of space mission solutions from single-board radiation hardened computers to complete space payloads. SS&E in Manassas, Virginia continues to specialize in radiation hardened electronics and space applications including ASICs, memories, and single board computers. Today, SS&E has more than 350 computers in space including the RAD6000 (32-bit) and the GVSC 1750 (16-bit) and is delivering the next generation space computer, the RAD750 PowerPC.

# RAD6000 radiation hardened processor product family

The versatility of the RAD6000 is demonstrated in the variety of past and current application configurations available including packaging options, architecture variations, memory configurations and I/O selections. Being gate-for-gate identical with its commercial counterpart, the RAD6000 uses many commercial software products without modification, including the industry-leading Vx-Works™ operating system, significantly reducing application software development costs and risk.



Mars Rover flight computer

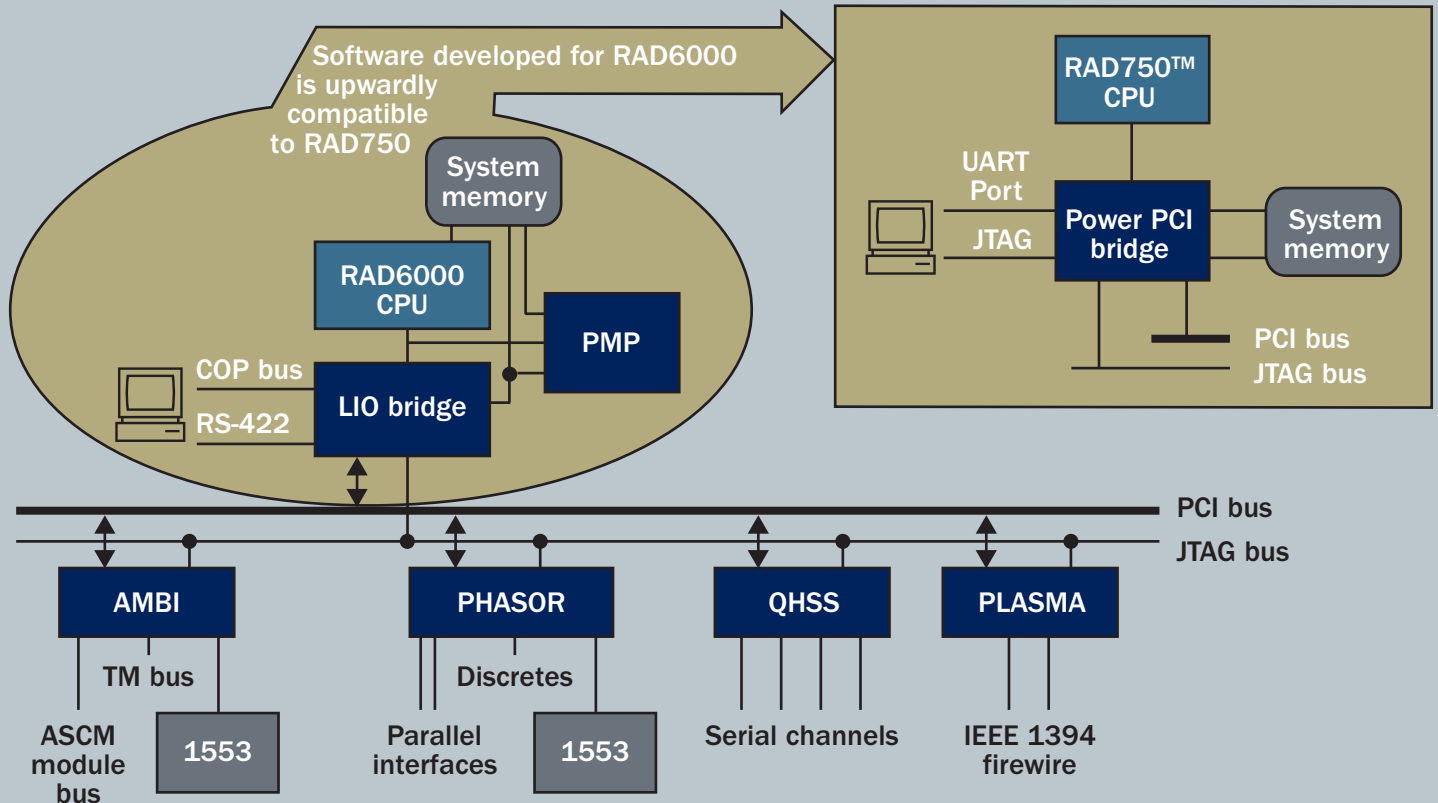


“Of course there is intelligent life on Mars . . . we helped put it there!”

## Processor board configuration information (other configurations available)

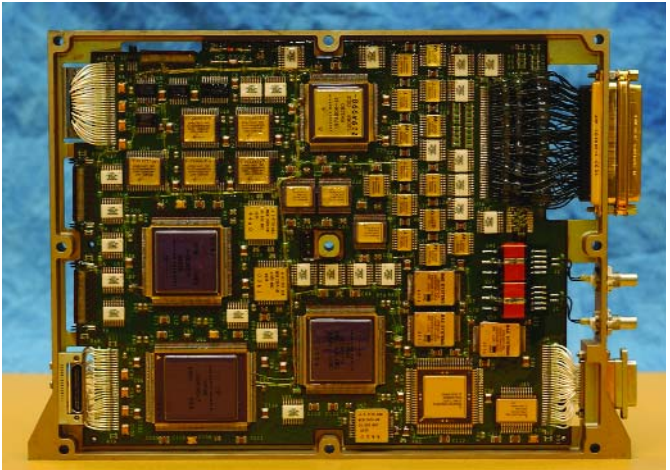
	<b>CompactPCI</b>	<b>Mars Rover</b>	<b>ASIC</b>	<b>Standalone onboard computer</b>
Performance	Variable to 26 MIPS	Variable to 22 MIPS	Variable to 35 MIPS	Variable to 21 MIPS per processor
Frequency	Variable to 25 MHz	Variable to 20 MHz	Variable to 33 MHz	Variable to 33 MHz
Power (maximum)	< 7.5 Watts at 25 MHz	20 Watts at 20 MHz	< 10 Watts at 33 MHz	11.9 Watts (EOL) at 20 MHz per processor
Power (low)	< 3.1 Watts at 5 MHz	5 Watts at 2.5 MHz	2.5 Watts at 4.1 MHz	8 Watts (EOL) at 2.5 MHz per processor
Memory	8 or 16 MByte SRAM	128 MByte DRAM	8 MByte SRAM	4 MByte SRAM
EEPROM/PROM	4 MByte EEPROM	3 MByte EEPROM	Up to 128 Kbyte PROM	EEPROM configurable 1, 2, 3, 4 MByte
Mass (board)	< 0.9 Kg	< 1.2 Kg	< 1.0 Kg	< 4.8 Kg (2 processors and power supplies in box)
Size	6U Compact PCI	6U VME	IEEE 1101.7 (6" × 9")	10.3" × 2.9" × 8" excluding mounting feet
Interfaces	1553, UART, PCI, discretes, interrupts	RS232	ASCM module bus, RS422	1553, serial UART, discretes in & out, interrupts
Support functions	ASIC	FPGA	ASIC	ASIC & FPGA

## RAD6000 architecture



## Variety of standard interfaces supported

- ASCM module bus
- MIL-STD 1553
- High Speed Serial (HSS)
- IEEE 1394 backpanel I/F
- PCI (via LIO chip)
- RS-422 or RS-232 UART



RAD6000 processor board



Standard RAD6000 onboard computer, dual or triple processors and power supplies

## RAD6000 microprocessor

The RAD6000 is a low-cost, high performance 32-bit Reduced Instruction Set Computer (RISC). The RAD6000 combines the popular and proven Power Architecture™ of the IBM RISC System/6000© workstation with the BAE Systems, QML qualified, radiation hardened CMOS process to provide powerful and flexible solutions for space applications. SEU hardening has been applied to all storage elements in the RAD6000 including latches, registers and RAMs.

### RAD6000 key features

- Up to 35 Dhrystone 2.1 MIPS at 33 MHz
- Radiation hardened 32-bit RISC super scalar single chip CPU
- 8 KByte internal cache
- Low power 3.3 Volt operation
- 72-bit (64 data, 8 ECC) memory bus
- Variable power/performance
- Independent fixed and floating point units with concurrent operation
- Temperature range -25°C to +105°C

### Radiation hardness levels

- Total dose: > 1 Mrad (Si)
- Latchup: Immune
- SEU: 7.4E-10 errors/bit-day (90% W.C. GEO)



For further information, contact:  
Information & Electronic Warfare Systems  
9300 Wellington Road  
Manassas, VA 20110-4122  
Telephone 1-866-5308104  
E-mail: RAD750.manassas@baesystems.com

[www.iew.s.na.baesystems.com/space](http://www.iew.s.na.baesystems.com/space)

Cleared for Open Publication by DoD 08/04

© 2004 BAE SYSTEMS Information & Electronic Systems  
Integration, Inc.

CompactPCI is a registered trademark of the PCI Industrial  
Manufacturers Group.

RISC systems is a registered trademark of IBM.

The PowerPC name, PowerPC 750, and the PowerPC logotype  
are trademarks of International Business Machines Corp.,  
used under license therefrom.

VxWorks is a registered trademark of Wind River Systems

An ISO 9001, AS9000, ISO 14001, and SEI CMM  
Level 4 Company.